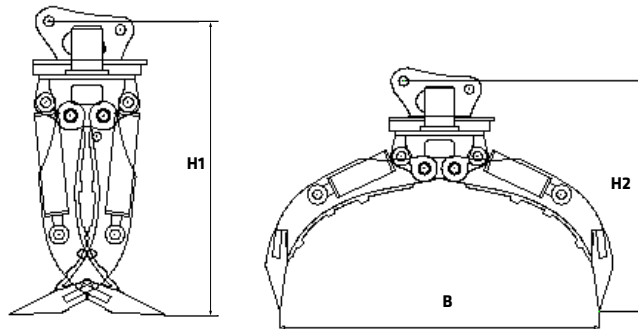


# 5 FINGER ROTATING GRAPPLE

Excavator Attachment

The RAMRADE Rotating Stone Grab is specially designed for precision movements. Its 360° head rotation and large jaw opening makes it one of the most versatile attachments available.



Model	A (H1)	B (W)	C (H2)	Capacity	Excavator Weight	Unit Weight
	mm	mm	mm	m <sup>2</sup>	Tonne	Tonne
DI - 03	1300	1045	870	0.3	4-5	0.3
DI - 04	1460	1200	956	0.4	7-8	0.5
DI - 06	1700	1350	1140	0.6	8-13	0.8
DI - 08	2050	1780	1460	0.8	18-24	1.4
DI - 10	2200	1920	1670	1.0	28-32	1.9

## KEY FEATURES

- Size Range to Suit 5 to 150 Tonne Excavators
- 360 Degree Rotation
- Robust, High-Strength Motor and Bearings
- Oil Flow Control Valve
- Rotating Motor Protection
- Specially Designed Swing Bearing for Durability
- Enclosed Check Valve Installed to Prevent the Release of the Jaw on Materials
- Operator Has Control of the Rotating Speed