

# Kobelco SK45SRX-6

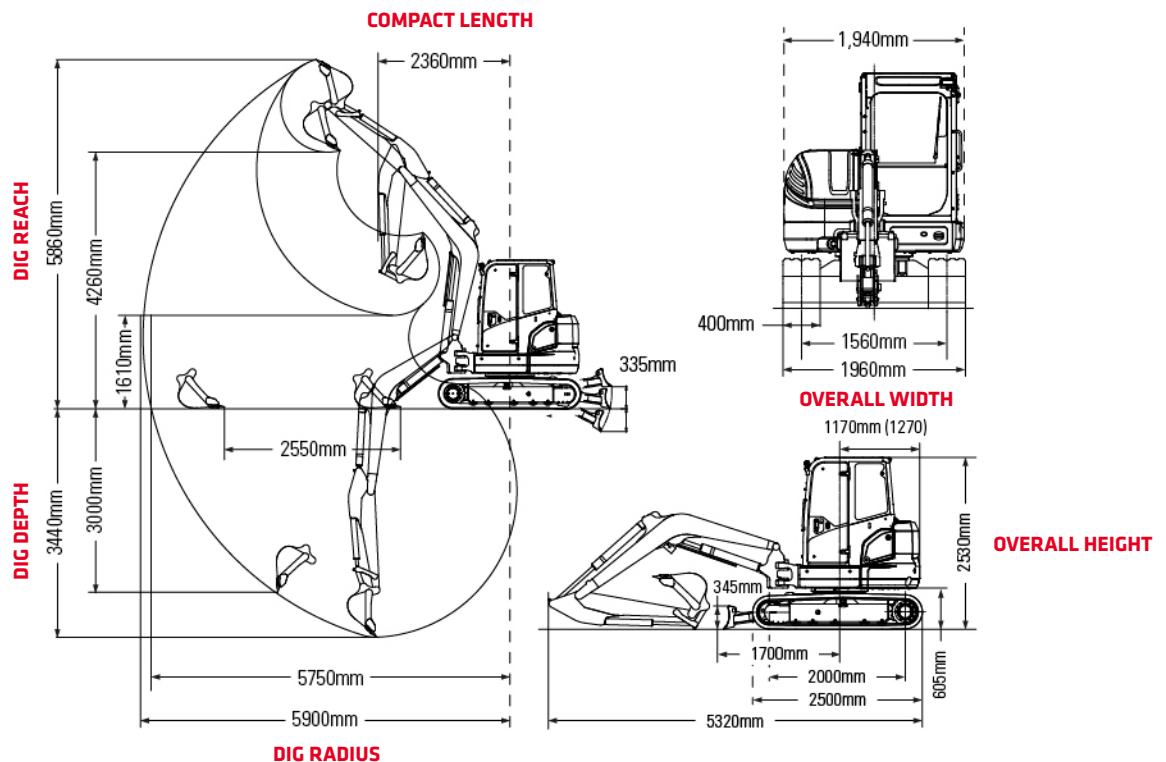
This is a compact yet tough 4.5 tonne excavator. It's packed with more digging power and practical performance features whilst maintaining a short tail swing. The new energy conservation mode saves even more on fuel. Available in cabin or canopy.

## KEY FEATURES

- Revolutionary integrated noise and dust reduction cooling system
- Compact yet big performance
- Energy conservation mode
- One touch deceleration



- 4-6 <sup>LT</sup>/<sub>HR</sub>
- 4,550 KG
- 500kg SWL
- Tilt Tray



x - Approximate fuel consumption