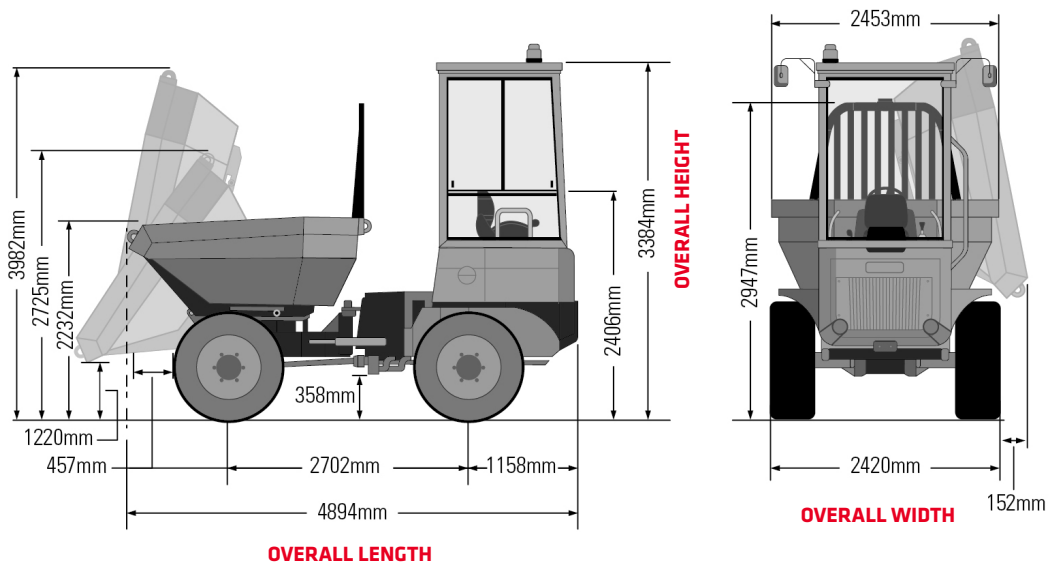


Wacker Neuson DV90 (Swivel)

The Wacker Neuson DV90 Dual View sets new standards in terms of operator and construction site safety, flexibility and economic efficiency. The concept allows a comfortable and quick change of the seat position through a 180° turn.

KEY FEATURES

- Maximum payload 9,000kg
- High driving position
- Very good gradeability
- Optimal view for safety
- Hydrostatic drive
- 180 swivel of operator console



MAX SAFE CARRYING WEIGHT: 9,000KG | LEVELLED CAPACITY: 3,300L | HEAPED CAPACITY: 4,350L