

Hitachi ZW180-5

The Hitachi 15 tonne loader provides comfort, advanced technology, environmental performance, and maintenance, delivering at all levels.

KEY FEATURES

- Quick power switch boosts power
- Two working modes provides lower fuel costs
- 6.7L six-cylinder turbo engine
- Heated air-suspension seat
- Excellent visibility without pillar
- Pallet forks available



10.2 $\frac{L}{HR}$ ^x



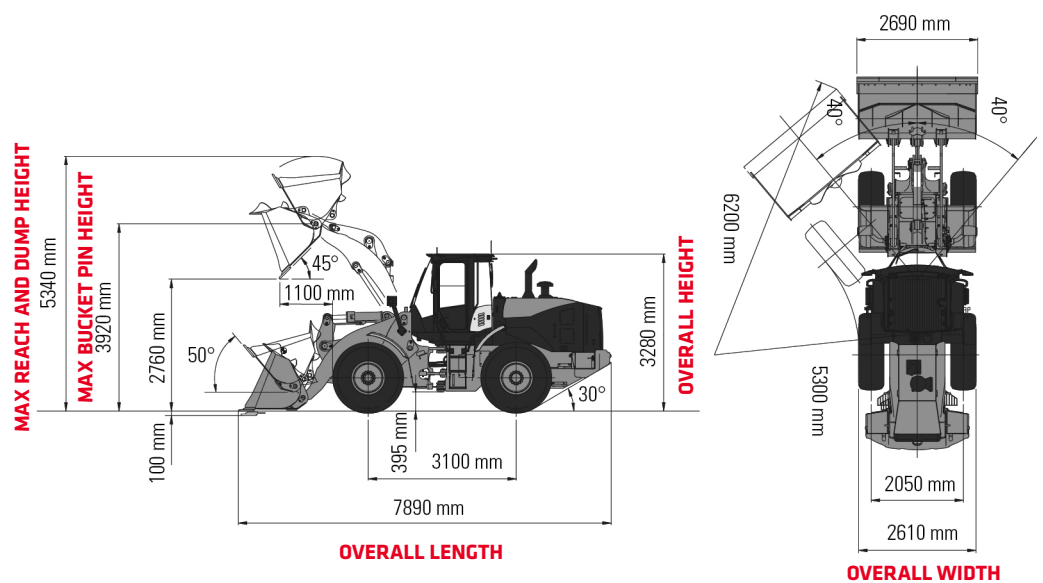
14,900
KG



5,000kg
SWL



Low Loader



x - Approximate fuel consumption