

Dynapac CC900

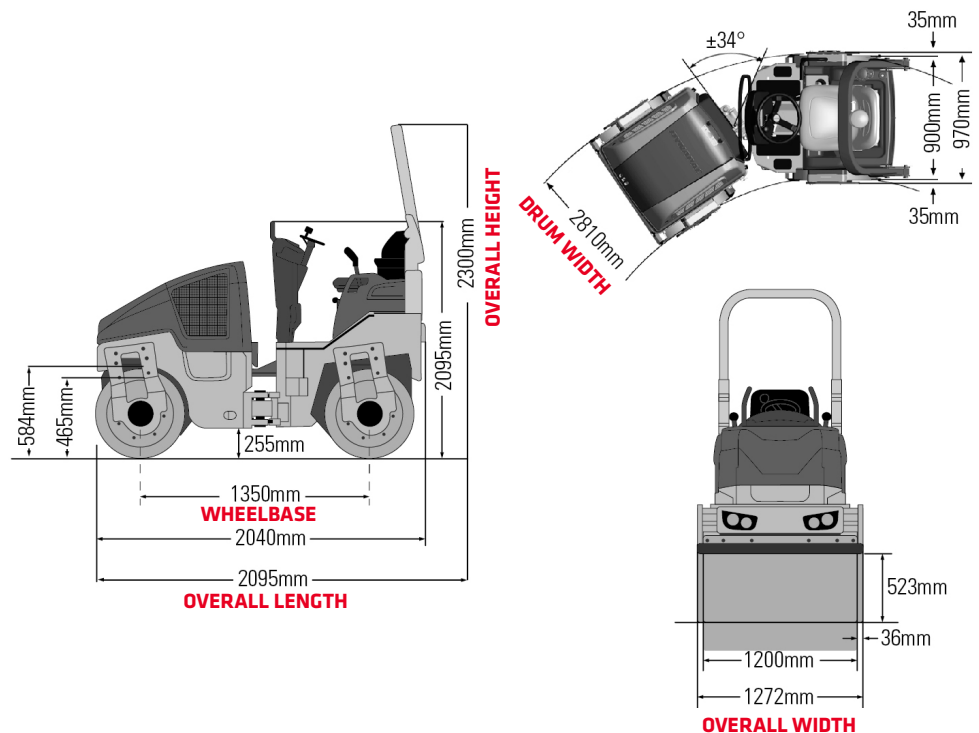
The Dynapac CC900 has a drum width of 900mm and is primarily used for small-scale compaction work such as pavements, cycle paths, small roads and small parking areas. The large drum diameter and drive motors connected in series contributes to excellent accessibility and hill-climbing capacity.

KEY FEATURES

- Foldable ROPS
- Spacious operator platform
- Central lifting point
- Powerful and silent 3 cylinder water cooled diesel engine
- Serial connected drum drive



- 4.5 ^{LT}/_{HR} x
- 1,400 KG
- Tow Bar
- HINO HIRE



x - Approximate fuel consumption