

Kubota SVL75-2

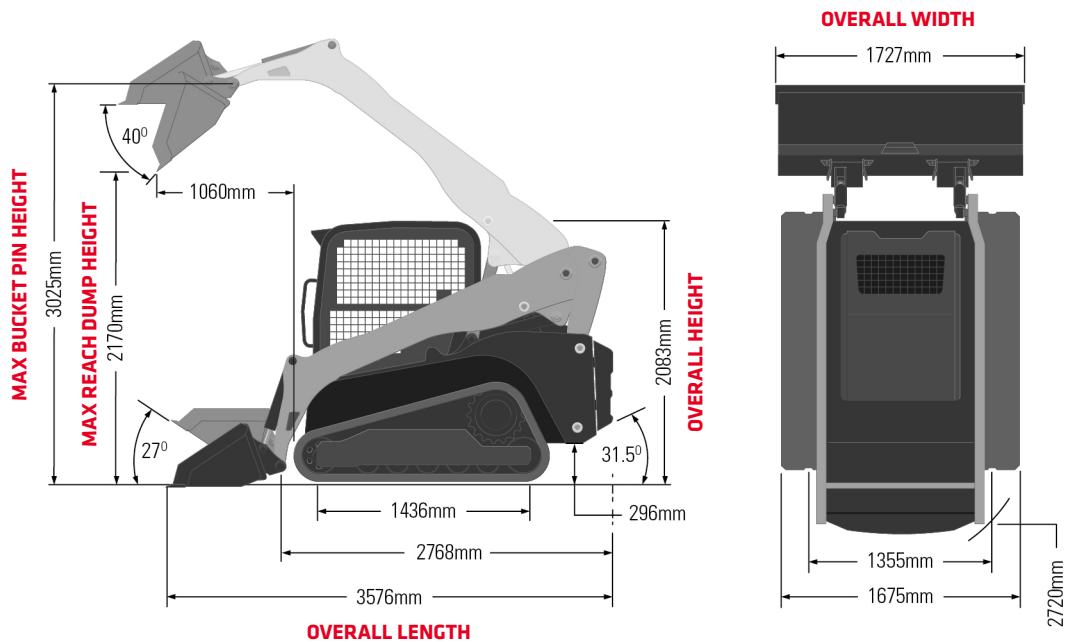
The SVL75-2 track loader features a wide cab entrance, offering enhanced visibility. A wide range of attachments are available to suit.

KEY FEATURES

- Two speed travel
- Higher ground clearance
- Rubber tracks
- Strong traction force
- Hydraulic quick coupler
- Self-leveling function



- 13 ^{LT^x} / HR
- 4,225 KG
- 1,043kg SWL
- Tilt Tray



x - Approximate fuel consumption