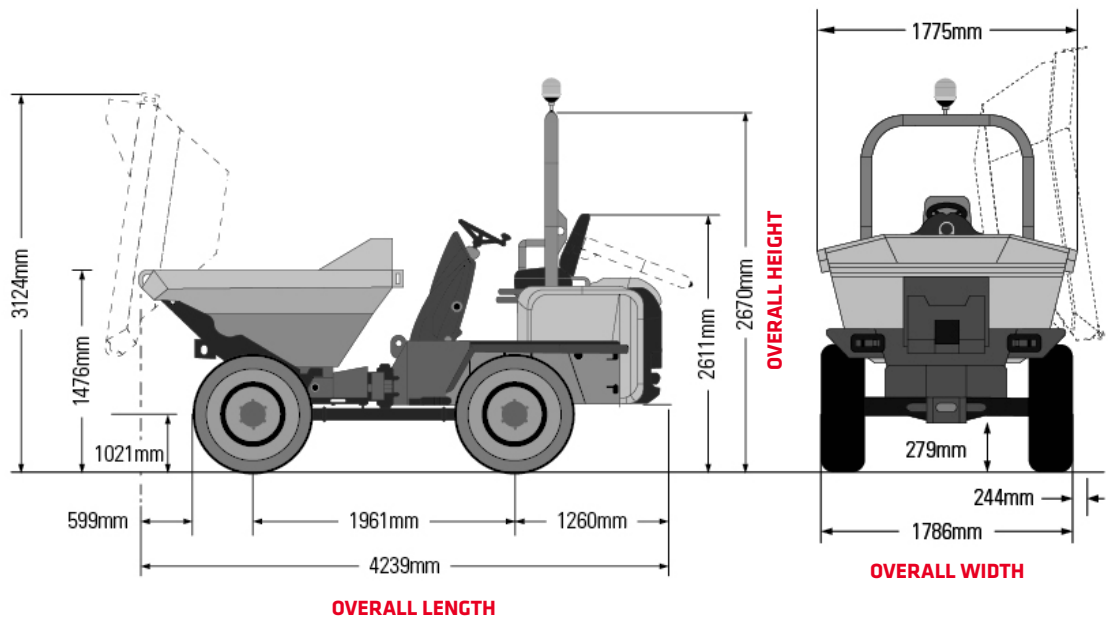


Wacker Neuson 3001

The Wacker Neuson 3 tonne dumper offers superior performance, the drive system automatically provides torque when and where it is needed. The hydrostatic drive system offers user-friendly controls, eliminating the need to change gears.

KEY FEATURES

- Operator station is easily accessible from both sides
- Swivel bucket allows material to be unloaded on either side
- Four-wheel drive provides traction in difficult terrain
- Drive system provides torque when and where required
- Hydrostatic drive system offers friendly controls, eliminating the need to change gears



MAX SAFE CARRYING WEIGHT: 3,000KG | LEVELLED CAPACITY: 1,730L | HEAPED CAPACITY: 2,340L

*Finished height of ROPS