

# Kobelco SK380SRLC

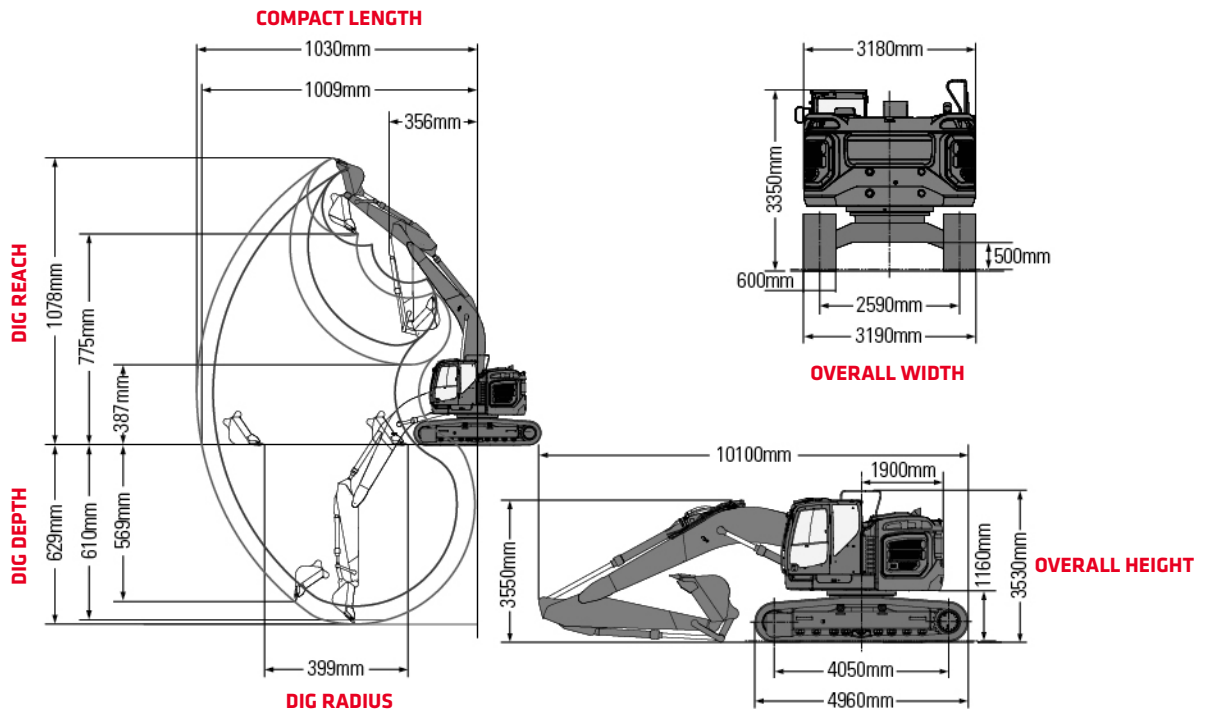
When it comes to drawbar pull, there's no equal in its class. The SK380XDLC delivers greater efficiency and power with great speed compared to any other machines on the market - plus the uncompromising comfort for operators!

## KEY FEATURES

- Specially designed rock guards
- Quick hitch available
- Auto-Idle Stop (AIS)
- Thicker steel plate for arm reinforcement
- Improved filtration system
- Standard reverse camera



- 19 <sup>LT</sup>/<sub>HR</sub>
- 37,700 KG
- 4,500kg **SWL**
- Low Loader**



x - Approximate fuel consumption