

Wacker Neuson RD18 - 100

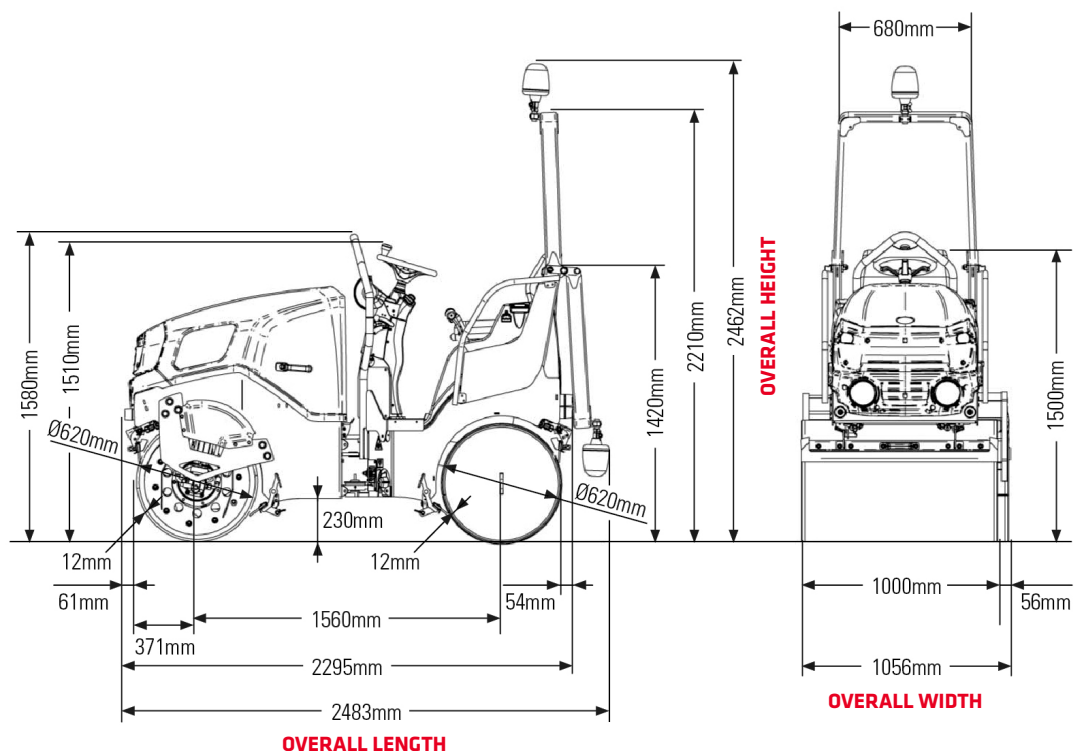
The Wacker Neuson is the perfect machine for any road, pavement or cycle path construction project. With its large drum width of 1,000mm and low center-of gravity it produces consistent compaction output every time.

KEY FEATURES

- Improved operator visibility
- Compact yet powerful
- Unilateral drum support
- Articulated pendulum joint
- Tandem-axle roller



- 3 - 4 ^{LT}/_{HR}
- 1,670 KG
- Tilt Tray
- HINO HIRE



x - Approximate fuel consumption