

Wacker Neuson ST11

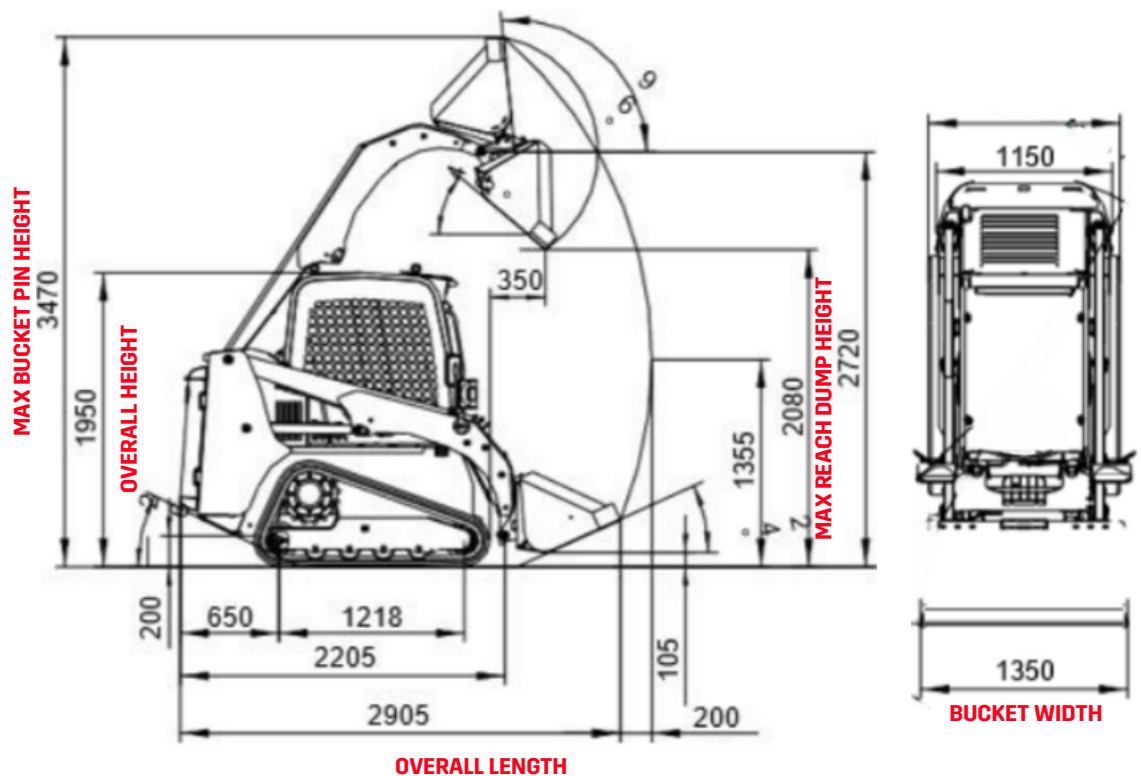
Ideal for compact construction and landscaping, it delivers impressive pushing force and offers auxiliary flow for a variety of powerful attachments.

KEY FEATURES

- High flow hydraulics
- 250mm width tracks
- Vertical lift track loader
- Mechanical fuel injection
- Hydraulic speed cooling fan
- 1350mm overall width



- N/A ^{LT}/_{HR} ^x
- 2,200 KG
- 400 kg SWL
- Tilt Tray



x - Approximate fuel consumption