

Dynapac D.One

Available from RAM Equipment, the Dynapac Remote Trench Roller is a radio-controlled articulated roller ideal for accessing tight areas.

KEY FEATURES

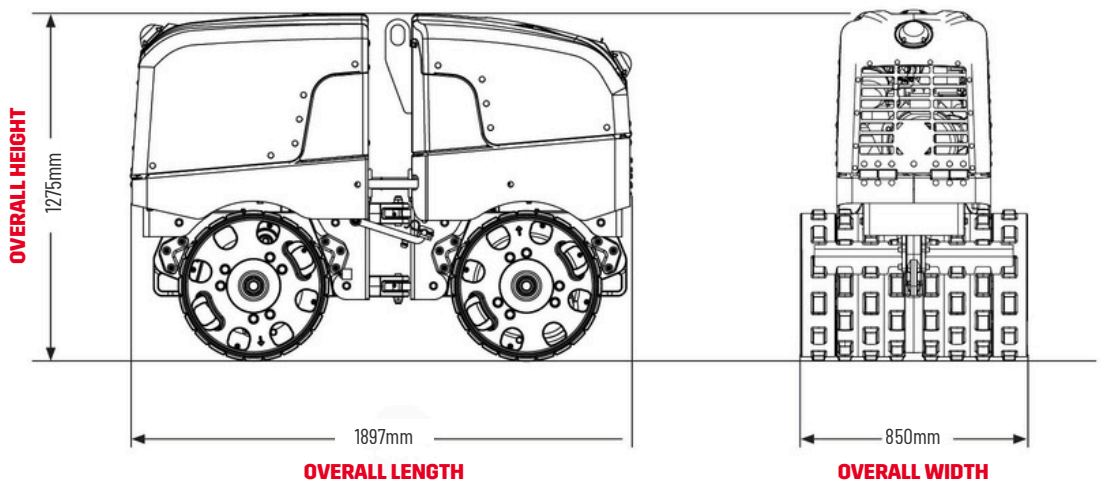
- Hydrostatic articulated Steering
- Radio-controlled remote
- Active zone system
- Exciter on both drums
- Low oil level auto shutdown
- ECO-mode



Tow Bar



HINO HIRE



x - Approximate fuel consumption